

# Heat Exchanger Network Synthesis Considering the Equipment Size of Heat Transfer Enhancement

Wu Xiao<sup>a</sup>, Zhaoxia Shi<sup>a</sup>, Xiaobin Jiang<sup>a</sup>, Gaohong He<sup>a,\*</sup>, Li Luo<sup>b</sup>

<sup>a</sup>State Key Laboratory of Fine Chemicals, R&D Center of Membrane Science and Technology, Dalian University of Technology, Dalian 116024, Liaoning, China

<sup>b</sup>Beijing Worley Parsons Engineering Technology Co. Ltd, Beijing 100015, China  
 wuxiao@dlut.edu.cn

The size of heat transfer enhancement equipment has an important effect on the efficiency of heat exchangers and Heat exchanger network (HEN) structure. A novel mixed integer nonlinear programming (MINLP) model of HEN synthesis considering the types and size of enhancement equipment is proposed, solved by hybrid genetic algorithm/simulated annealing algorithm (GA/SA). In this model, the type and size of the enhancement equipment are set as the integers and continuous variables, respectively, and the enhanced equipment costs and operating costs associated with pressure drop are added in the total annual cost (TAC). The MINLP mathematical model of simultaneous synthesis is established by the combining of heat transfer coefficient and pressure drop models of heat exchangers for enhancement equipment and the HEN synthesis model based on the stage-wise superstructure. The new method has distinctive advantages over existing design methods, as the new MINLP model can effectively achieve simultaneous optimization of the types and size of enhancement equipment and HEN. Finally, the feasibility and effectiveness of the proposed model are proved through concrete case analysis.

## 1. Introduction

In recent years, implementation of enhanced heat transfer technologies can greatly improve heat transfer coefficient of heat exchangers, thereby optimizing the HEN to maximize the use of heat energy and heat recovery (Liu et al., 2016). The main enhanced heat transfer equipment is divided into tube side enhanced heat transfer equipment, such as internal finned tube (Wang et al., 2001), tube twisted-tape (Bhuiya et al., 2013), tube coiled-wire (San et al., 2015), etc., and shell-side heat transfer enhancement technology, such as external finned tube, shell-side helical baffles, etc. And changes in heat transfer enhancement equipment size also affect heat transfer performance and fluid flow properties (Lim et al., 2017).

The heat transfer enhancement technologies have a practical advantage in the retrofit and design of HEN, because it can avoid the structural retrofit of the heat exchanger itself, and has the potential to save energy and reduce investment (Shekarian et al., 2016). The implementations of enhanced heat transfer technologies are relatively simple, which can be easily completed in the normal maintenance period, reducing production losses and the corresponding civil engineering (Pan et al., 2014). Wang et al. (2012) used heat transfer enhancement technology to improve heat transfer without structural modification in the HEN, with pinch method screening suitable heat exchanger to strengthen, and proposed four heuristic rules to eliminate the bottleneck of HEN retrofit. Pan et al. (2012) proposed a simple MILP model to solve the problem of network retrofit considering the heat transfer enhancement technologies, and two step iteration solving strategy and optimization steps were put forward to achieve the maximized profits. Odejebi et al. (2015) considered the heat transfer enhancement technologies in the HEN design to save energy and reduce investment. Based on the stage-wise superstructure, a MINLP model considering the heat transfer enhancement technology of HEN synthesis was established. However, this design method ignores the influence of the pressure drop.

The use of heat transfer enhancement technologies can reduce the difficulty in topology retrofit, and increase the heat transfer coefficient of HEN, but the adverse effects increase on shell side resistance and fouling (Pan et al., 2016). Professor Robin Smith's research group at the University of Manchester, aimed at the HEN retrofit

considering the heat transfer enhancement technologies (Jiang et al., 2014), and carries out comprehensive research on HEN after heat transfer enhancement, heat transfer coefficient changes, pressure drop increase and scaling changes (Akpomiemie and Smith, 2017). However, the heat transfer enhancement equipment size was set to be fixed value in the existing research, to simplify the model, reduce the calculation difficulty in the HEN synthesis.

In this study, a MINLP model was established with the changes of types and size on heat transfer enhancement equipment, considering the changes of pressure drop and heat transfer coefficient caused by heat transfer enhancement and the lowest TAC of the HEN was achieved by using hybrid GA / SA algorithm, thereby the corresponding optimal type and size of heat transfer enhancement equipment are obtained.

## 2. Model formulation

### 2.1 Problem statement

It is assumed that shell-and-tube heat exchangers are only used in this study. The heat-transfer coefficient and pressure drop of each individual heat exchanger in the network are calculated and added in TAC. The aim with the optimization approach is to determine the type and size of heat transfer enhancement equipment in which the minimum total annual cost is achieved.

To derive the proposed approach for optimization process, it is assumed that the following information is given: inlet and outlet temperatures of streams, physical properties (i.e., viscosity, density, thermal conductivity, specific heat capacity, etc.) of streams. And then the tube-side geometry of heat exchangers (i.e., tube length, tube inner diameter, tube layout angle, tube pitch, number of tube passes, etc.), and shell-side geometry (i.e., shell inner diameter, shell-bundle diametric clearance, etc.) of heat exchangers are known.

### 2.2 Objective function

The objective function of the expanded optimization model is that the TAC of the HEN, and the TAC includes the utility costs ( $C_{utility}$ ), heat exchanger equipment costs ( $C_{area}$ ), extra power consumption cost caused by pressure drop and power equipment costs ( $C_{pump}$ ) and enhanced equipment costs ( $C_E$ ):

$$\begin{aligned} \text{Min cost} &= C_{utility} + C_{area} + C_{pump} + C_E \\ &= \sum_i c_{cu} \cdot q_{cui} + \sum_j c_{hu} \cdot q_{huj} + \sum_i \sum_j \sum_k z_{ijk} (a + bA_{ijk}^c) + \sum_i z_{cui} (a + bA_{cui}^c) + \sum_j z_{huj} (a + bA_{huj}^c) + \sum_{j=1} \sum_{k=1} \alpha \frac{m_{j,k}}{\rho_{j,k}} \Delta P_{j,k} \\ &+ \sum_{i=1} \sum_{k=1} \alpha \cdot \frac{m_{i,k}}{\rho_{i,k}} \cdot \Delta P_{i,k} + \sum_i \sum_j \sum_k \sum_{t_E} Bt_E \left( \frac{q_{ijk}}{U_{ij} LMTD_{ij}} \right)^{EP} + \sum_i \sum_j \sum_k \sum_{s_E} Bs_E Bt_E \left( \frac{q_{ijk}}{U_{ij} LMTD_{ij}} \right)^{EP} + \sum_i \sum_j \sum_k a_E z_{ijk} \end{aligned} \quad (1)$$

### 2.3 Heat transfer calculation

The overall heat transfer coefficient  $U$  of the shell and tube heat exchanger is calculated according to the heat transfer coefficient of tube side  $h_t$  and the heat transfer coefficient of the shell side  $h_s$ , and taking the fouling resistance into account.

$$U = \left[ \frac{D_0}{h_t D_t} + \frac{D_0 \ln(D_0/D_t)}{2\kappa_t} + \frac{1}{h_s} + \frac{R_m D_0}{D_t} + R_{D0} \right]^{-1} \quad (2)$$

The heat transfer coefficient of the tube side  $h_t$  and the heat transfer coefficient of the shell side  $h_s$  change due to the differences of heat transfer enhancement equipment type, as shown in Eqs (3)-(8).

(1) Heat transfer coefficient of the tube side  $h_t$ .

Without heat transfer enhancement equipment in shell and tube heat exchangers, tube side heat transfer coefficient formulation was defined as

$$h_t = \left( \frac{k_t}{D_t} \right) \cdot Nu_t \quad (3)$$

The Nusselt number ( $Nu$ ) is a key parameter affecting the heat transfer coefficient, so when calculating the heat transfer coefficient of the heat exchanger considering the enhanced heat transfer device, only the  $Nu$  in heat transfer coefficient calculation formula of the heat exchanger without the enhanced heat transfer device is needed to corrected. With heat transfer enhancement using in tube side, the calculation of  $h_t$  only needs to correct  $Nu_t$ .

When inserting internal tube fins in the tube side, it's necessary to correct  $Nu_t$  (Jensen and Vlakancic, 1999)

$$\frac{Nu_{t,f}}{Nu_t} = \left(\frac{l_{csw}}{D_t}\right)^{-1/2} \left(\frac{0.25\pi D_t^2}{0.25\pi D_t^2 - N_f e \delta}\right)^{0.8} f(\text{geometry}) \quad (4)$$

When inserting twisted-tape in the tube side, it's necessary to correct  $Nu_t$  (Manglik and Bergles, 1993)

$$Nu_{t,T} = 0.023 Re^{0.8} Pr^{0.4} \left(\frac{\pi}{\pi - 4\delta/D_t}\right)^{0.8} \left(\frac{\pi + 2 - 2\delta/D_t}{\pi - 4\delta/D_t}\right)^{0.2} \left(1 + \frac{0.769}{y}\right) \varphi, \quad Re_t \geq 10^4 \quad (5)$$

When inserting coiled-wire in the tube side, it's necessary to correct  $Nu_t$  (Garcia et al., 2005)

$$Nu_{t,c} = 0.132 \left(\frac{P}{D_t}\right)^{-0.372} Re^{0.72} Pr^{0.37}, \quad 1000 \leq Re_t \leq 8 \times 10^4 \quad (6)$$

(2) Heat transfer coefficient of the shell side  $h_s$

When using external tube fins in shell-side,  $h_s$  is corrected by (Serth and Lestina, 2014)

$$h_{s,f} = jH Pr^{1/3} \left(\frac{\kappa_s}{D_{es}}\right) \quad (7)$$

When using helical baffles in shell-side,  $h_s$  is corrected by (Zhang et al., 2009)

$$h_{s,hb} = \left(\frac{\kappa_s}{D_0}\right) Nu_s \quad (8)$$

## 2.4 Pressure drop calculation

The friction coefficient ( $f$ ) is a key parameter affecting the pressure drop, so when calculating the pressure drop of the heat exchanger considering the enhanced heat transfer device, only the parameter  $f$  in pressure drop calculation formula of the heat exchanger without the enhanced heat transfer device is needed to be corrected.

(1) Pressure drop calculation in tube side:

Without heat transfer enhancement equipment in shell and tube heat exchangers, tube side pressure drop formulation was defined as

$$\Delta P_t = \Delta P_{fi} + \Delta P_r + \Delta P_{ni} \quad (9)$$

Where,  $\Delta P_{fi}$  is the tube-side pressure drop due to friction loss;  $\Delta P_r$  is the tube-side pressure drop due to the tube entrance;  $\Delta P_{ni}$  is the pressure drop in tube-side nozzles.

When internal tube fins using in tube side, the calculation of the pressure drop is different (Jensen and Vlakancic, 1999). And the friction coefficient associated with  $\Delta P_{fi}$  is needed to be corrected.

$$\frac{f_{t,f}}{f_t} = \left(\frac{l_{csw}}{D_t}\right)^{-1.25} \left(\frac{0.25\pi D_t^2}{0.25\pi D_t^2 - N_f e \delta}\right)^{1.75} \quad (10)$$

Also with twisted-tape inserting in tube side, the  $f_t$  is necessary to correct (Manglik and Bergles, 1993)

$$f_{t,T} = \frac{0.0791}{Re^{0.25}} \left(\frac{\pi}{\pi - 4\delta/D_t}\right)^{1.75} \left(\frac{\pi + 2 - 2\delta/D_t}{\pi - 4\delta/D_t}\right)^{1.25} \left(1 + \frac{2.752}{y^{1.29}}\right), \quad Re_t \geq 1 \times 10^4 \quad (11)$$

And with coiled-wire inserting in tube side, it's necessary to correct  $f_t$  (Garcia et al., 2005)

$$f_{t,c} = 9.35 \left(\frac{H}{t}\right)^{-1.16} Re^{-0.217}, \quad 2000 \leq Re_t \leq 3 \times 10^4 \quad (12)$$

(2) Pressure drop calculation in shell side:

External tube fins using in shell-side, the calculation of shell-side pressure drop only needs to correct the friction coefficient (Serth and Lestina, 2014).

$$f_{s,f} = 144 \left[ f_1 - 1.25 \left( 1 - \frac{B_c}{D_s} \right) (f_1 - f_2) \right] \tag{13}$$

And with helical baffles using in shell side, the friction coefficient  $f_s$  is needed to correct (Zhang et al., 2009).

$$f_{s,hb} = C_{fs} \text{Re}_s^{D_{fs}} \tag{14}$$

**2.5 Design variables and dimensional constraints**

Based on the above research, the usage and size of heat transfer enhancement equipment will be optimized. The main design variables and the related constraints are as follows:

- (1) Whether to use heat transfer enhancement equipment:  $E_{ijk}=0/1$ .
- (2) Heat transfer enhancement equipment in tube side ( $t_E$ ): internal tube fins; twisted-tape inserts; coiled-wire inserts.
- (3) Heat transfer enhancement equipment in shell side ( $s_E$ ): external tube fins; helical baffles.
- (4) Fin height ( $e$ ) is shown as:  $e_{min} \leq e \leq e_{max}$ .
- (5) Fin thickness ( $\delta$ ) is shown as:  $\delta_{min} \leq \delta \leq \delta_{max}$ .
- (6) Fin inclination angle ( $fr$ ) is shown as:  $fr_{min} \leq fr \leq fr_{max}$ .
- (7) Twist pitch of twisted-tape inserts ( $H$ ) is shown as:  $H_{min} \leq H \leq H_{max}$ .
- (8) Thickness of twisted-tape inserts ( $t$ ) is shown as:  $t_{min} \leq t \leq t_{max}$ .

**3. Solution strategy**

A new MINLP model is established by combining the HEN synthesis model based on the stage-wise superstructure and heat transfer coefficient and pressure drop calculation model of individual exchanger. The new model combines the heat load and heat capacity of each heat exchange with the main geometric optimization of the heat transfer enhancement technology of the heat exchanger, which can achieve the overall trade-off and the local optimum integration, and based on GA / SA algorithm to get the lowest TAC of HEN. The MINLP model is complex and nonlinear. There are many influencing factors, such as model variables and constraints, which are difficult to solve. The proposed GA / SA algorithm is a feasible strategy to solve this problem. The solution flowsheet of the model in this paper is shown in Figure 1a.

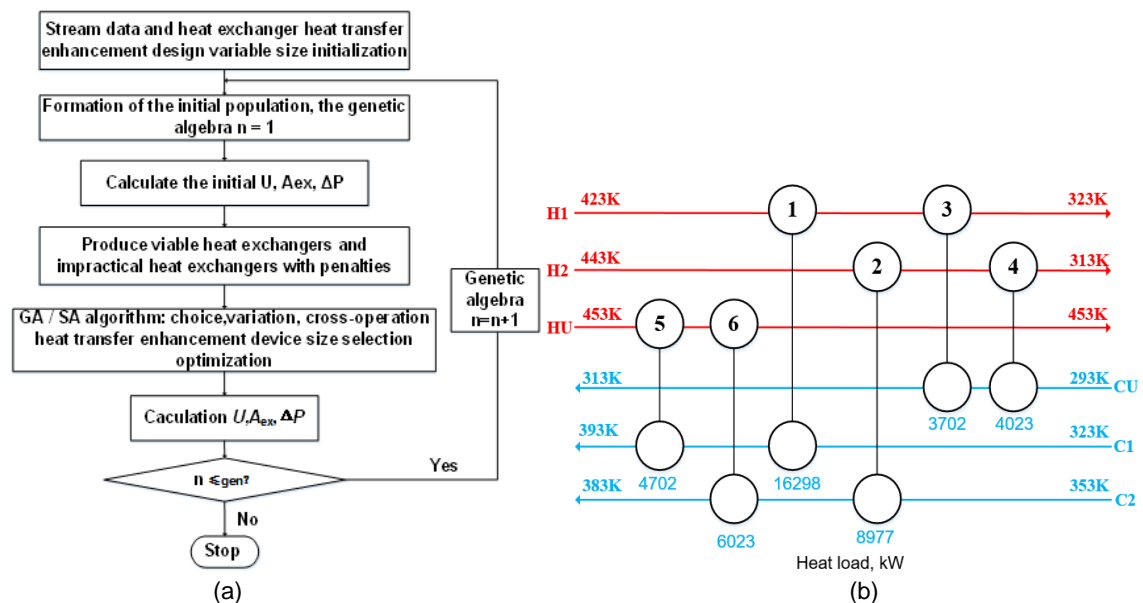


Figure 1: (a) Optimization flow chart. (b) Topological structure for example

**4. Example**

Example HEN consists of two hot streams and two cold streams. And detailed data about flow streams and heat exchangers are shown in reference (Odejebi et al., 2015).

Table 1: Parameters of heat exchangers 1 and 2 incorporating enhanced heat transfer techniques for example

EXs	$U_{(ex)}$ (kW/m <sup>2</sup> K)	$e$ (mm)	$\delta$ (mm)	$fr$ (°)	$H$ (m)	$t$ (mm)	Enhancement type	
							Tube side	Shell side
1	0.19	0.56	0.65	25.8	0.10	--	Twisted-tape	External tube fins
2	0.18	0.48	0.61	28.9	--	1.6	Coiled-wire	External tube fins

Table 2: Results comparison for example

Item	Number of EXs	$C_{utility}$ (\$)	$C_{area}$ (\$)	$C_{pump}$ (\$)	$C_E$ (\$)	Total cost (\$)
Reference (Odejobi et al., 2015)	7	1,341,127	1,840,780	---	330,694	3,512,601
This paper	6	1,257,045	1,002,263	16,029	956,348	3,231,685

After HEN simultaneous optimization considering the types and size of heat transfer enhancement equipment based on GA/SA algorithm, the optimized HEN is showed in Figure 1b, with a heat exchanger removed and the HEN structure simplified comparing with reference. And the parameters of Ex1 and EX2 incorporating enhanced heat transfer techniques for example are shown in Table 1. In this study, twisted-tape and coiled-wire inserts are used in tube side of the EX1 and EX2, respectively, comparing with fins are both used inside and outside tube in the reference (Odejobi et al., 2015). The specific values of the optimized heat transfer enhancement equipment size can be obtained from the Table 1, while the values in the literature are fixed values. The cost comparison before and after retrofit of the HEN is shown in Table 2. Using the approach to solve example, the utility consumption and capital investment ( $C_{area}+C_E$ ) savings are 6.27 % and 9.80 %, respectively, while with 7.13 % reduction of the TAC of HEN is achieved.

## 5. Conclusions

A new MINLP model was proposed for HEN simultaneous optimization considering the types and size of heat transfer enhancement equipment, such that the most suitable exchanger heat transfer techniques and size are identified. And the effective solution strategy was presented based on GA/SA algorithm. With using of simultaneous synthesis model, the heat transfer enhancement equipment types and size were optimized, and the enhanced equipment costs, operating costs, as well as utility costs, heat exchanger equipment costs were traded off by GA/SA algorithm, thus a relatively low TAC was achieved. Using the approach to solve example, the utility consumption and capital investment savings are 6.27 % and 9.80 %, respectively, while with 7.13 % reduction of the TAC of HEN is achieved.

## Nomenclature

$A$	Heat exchanger heat transfer area (m <sup>2</sup> )	$y$	$\delta/D_t$ , Dimensionless rate
$a, b, c$	Related index of heat exchange equipment area costs	$Bt_E, B_{SE}$	Application of tube, shell-side heat transfer enhancement area cost factor
$a_E$	Heat exchanger installation fixed costs (\$·yr <sup>-1</sup> )		
$i, j$	Hot, cold stream number	$l_{csw}$	Feature length due to swirling correction
$q_{cui}, q_{huj}$	Heat load between Cold, heat utilities and flow(kW)	$f(geometry)$	Calculation of Nusselt's inner fin geometric function
$C_{cu}, C_{hu}$	Unit cost of cold and hot utilities (\$·yr <sup>-1</sup> )		
$q_{i,j,k}$	Thermal load between heat flow i and cold flow j in the k-class (kW)	$EP$	Heat transfer enhancement cost index based on heat exchange area
$K$	The number of matching between the stream in stage-wise superstructure	$\psi$	Correction factor for changes in fluid properties
		$Z_{huj}$	0-1 variable of heater exist or not
$Z_{ijk}$	0-1 variable of heat exchanger exist or not	$Z_{cui}$	0-1 variable of cooler exist or not

## Acknowledgments

We grateful thank the financial support from National Natural Science Foundation of China (21676043); Program for Changjiang Scholars (T2012049); Fundamental Research Funds for the Central Universities (DUT17JC33,

DUT17ZD203, DUT16TD19); MOST innovation team in key area (No. 2016RA4053), Education Department of the Liaoning Province of China (LT2015007).

## References

- Akpoimemie M. O., Smith R., 2017, Pressure drop considerations with heat transfer enhancement in heat exchanger network retrofit, *Applied Thermal Engineering*, 116, 695-708.
- Bhuiya M.M.K., Chowdhury M.S.U., Saha M., Islam M.T., 2013, Heat transfer and friction factor characteristics in turbulent flow through a tube fitted with perforated twisted tape inserts, *International Communications in Heat and Mass Transfer*, 46, 49-57.
- Garcia A., Vicente P. G., Viedma A., 2005, Experimental study of heat transfer enhancement with wire coil inserts in laminar-transition-turbulent regimes at different Prandtl numbers, *International Journal of Heat and Mass Transfer*, 48(21), 4640-4651.
- Jensen M. K., Vlakancic A., 1999, Technical Note Experimental investigation of turbulent heat transfer and fluid flow in internally finned tubes, *International Journal of Heat and Mass Transfer*, 42(7), 1343-1351.
- Jiang N., Shelley J. D., Smith R., 2014, New models for conventional and heat exchangers enhanced with tube inserts for heat exchanger network retrofit, *Applied Thermal Engineering*, 70(1), 944-956.
- Lim K. Y., Hung Y. M., Tan B. T., 2017, Performance evaluation of twisted-tape insert induced swirl flow in a laminar thermally developing heat exchanger, *Applied Thermal Engineering*, 121, 652-661.
- Liu Z.Y., Varbanov P.S., Klemeš J.J., Yong J.Y., 2016, Recent developments in applied thermal engineering: Process integration, heat exchangers, enhanced heat transfer, solar thermal energy, combustion and high temperature processes and thermal process modelling, *Applied Thermal Engineering*, 105, 755-762.
- Manglik R. M., Bergles A. E., 1993, Heat transfer and pressure drop correlations for twisted-tape inserts in isothermal tubes: part II-transition and turbulent flows, *Transactions-American Society of Mechanical Engineers Journal of Heat Transfer*, 115, 890-890.
- Odejobi O. J., Adejokun A. E., Al-Mutairi E. M., 2015, Heat exchanger network synthesis incorporating enhanced heat transfer techniques, *Applied Thermal Engineering*, 89, 684-692.
- Pan M., Bulatov I., Smith R., 2014, Recent methods for retrofitting heat exchanger networks with heat transfer intensifications, *Chemical Engineering Transactions*, 39, 1435-1440.
- Shekarian E., Nasr M.R.J., Tarighaleslami A.H., Walmsley T.G., Atkins M.J., Sahebamee N., Alaghebandan M., 2016, Impact of Hybrid Heat Transfer Enhancement Techniques in Shell and Tube Heat Exchanger Design, *Chemical Engineering Transactions*, 52, 1159-1164.
- Pan M., Bulatov I., Smith R., 2016, Improving heat recovery in retrofitting heat exchanger networks with heat transfer intensification, pressure drop constraint and fouling mitigation, *Applied Energy*, 161, 611-626.
- Pan M., Bulatov I., Smith R., Kim J.-K., 2012, Novel MILP-based iterative method for the retrofit of heat exchanger networks with intensified heat transfer, *Computers & Chemical Engineering*, 42, 263-276.
- San J.Y., Huang W.C., Chen C.A., Experimental investigation on heat transfer and fluid friction correlations for circular tubes with coiled-wire inserts, *International Communications in Heat and Mass Transfer*, 65, 8-14.
- Serth R. W., Lestina T. G., 2014, *Process heat transfer: Principles, applications and rules of thumb*. Academic Press, New York.
- Wang C.-C., Lee W.-S., Sheu W.-J., 2001, A comparative study of compact enhanced fin-and-tube heat exchangers, *International Journal of Heat and Mass Transfer*, 44, 3565-3573.
- Wang Y., Pan M., Bulatov I., Smith R., Kim J.K., 2012, Application of intensified heat transfer for the retrofit of heat exchanger network, *Applied Energy*, 89(1), 45-59.
- Zhang J.F., Li B., Huang W.J., Lei Y.G., He Y.L., Tao W.Q., 2009, Experimental performance comparison of shell-side heat transfer for shell-and-tube heat exchangers with middle-overlapped helical baffles and segmental baffles, *Chemical Engineering Science*, 64(8), 1643-1653.