



## Some relationships between the peak stresses and the local strain energy density for cracks subjected to mixed-mode (I+II) loading

G. Meneghetti

*University of Padova, Department of Industrial Engineering, Via Venezia 1, 35131, Padova (Italy)*  
*giovanni.meneghetti@unipd.it*

A. Campagnolo, F. Berto

*University of Padova, Department of Management and Engineering, Stradella S. Nicola 3, 36100, Vicenza (Italy)*  
*campagnolo@gest.unipd.it, berto@gest.unipd.it*

---

**ABSTRACT.** In this work, a link between the averaged strain energy density (SED) approach and the peak stress method in the case of cracks subjected to mixed mode (I+II) loading has been investigated. Some closed-form expressions of the strain energy density, averaged in a volume of radius  $R_0$ , as function of the Stress Intensity Factors are provided for plane strain conditions under mixed mode I+II loadings, the material being thought of as isotropic and linear elastic.

On the basis of the peak stress method (PSM) some expressions useful to estimate the mode I and mode II stress intensity factors (SIFs) have been recently derived. These relationships take advantage of the elastic peak stresses from FE analyses carried out by using a given mesh pattern where the element size and type are kept constants. The evaluation of the SIFs from a numerical analysis of the local stress field usually requires very refined meshes and then large computational effort. The usefulness of the PSM-based expressions is that (i) only the elastic peak stresses numerically evaluated at the crack tip are needed and not a set of stress–distance data; (ii) the employed meshes are rather coarse if compared to those necessary for the evaluation of the whole local stress field.

By substituting the PSM-based relationships in the closed-form expressions of the averaged SED it appears that the latter can be directly estimated by means of the elastic peak stresses evaluated at the crack tip.

Several FE analyses have been carried out on cracked plates subjected to tension loading considering different geometrical combinations, varying the length  $2a$  and the inclination  $\phi$  of the crack (i.e. the mode mixity) as well as the size  $d$  of the adopted finite elements, with the aim to evaluate the local SED and the elastic peak stress components  $\sigma_{\text{peak}}$  and  $\tau_{\text{peak}}$ . In all cases the numerical values of the SED derived from the FE analyses have been compared with those analytically obtained by using the expressions for the SED based on the elastic peak stresses, in order to verify the range of applicability of the proposed relationships.

**KEYWORDS.** Local approaches; Stress intensity factors; Strain energy density; Finite elements; Coarse mesh.

---



## INTRODUCTION

Notch stress intensity factors (NSIFs) play an important role in static strength assessments of components made of brittle or quasi-brittle materials and weakened by sharp V-shaped notches [1]. This holds true also for components made of structural materials undergoing high cycle fatigue loading [2] as well as for welded joints [3, 4]. In plane problems, the mode I and mode II NSIFs for sharp V-notches, which quantify the intensity of the asymptotic stress distributions in the close neighbourhood of the notch tip, can be expressed by means of the Gross and Mendelson's definitions [5]:

$$K_1 = \sqrt{2\pi} \cdot \lim_{r \rightarrow 0} \left[ (\sigma_{\theta\theta})_{\theta=0} \cdot r^{1-\lambda_1} \right] \quad (1)$$

$$K_2 = \sqrt{2\pi} \cdot \lim_{r \rightarrow 0} \left[ (\tau_{r\theta})_{\theta=0} \cdot r^{1-\lambda_2} \right] \quad (2)$$

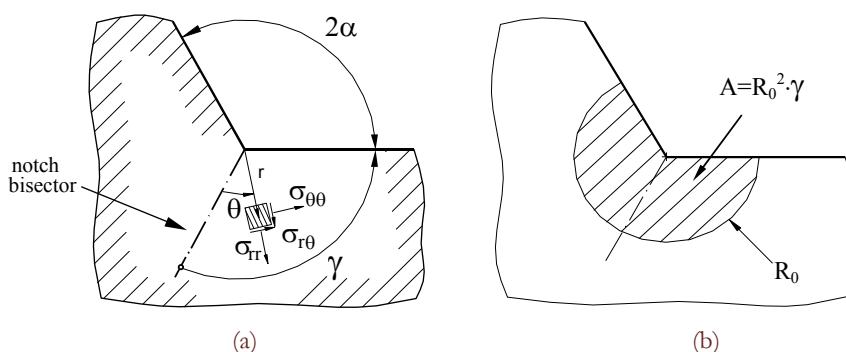


Figure 1: (a) Polar coordinate system centred at the notch tip. (b) Control volume (area) of radius  $R_0$  surrounding the V-notch tip.

where  $(r, \theta)$  is a polar coordinate system centred at the notch tip (Fig. 1a),  $\sigma_{\theta\theta}$  and  $\tau_{r\theta}$  are the stress components according to the coordinate system and  $\lambda_1$  and  $\lambda_2$  are respectively the mode I and mode II first eigenvalues in William's equations [6]. The condition  $\theta = 0$  characterizes all points of the notch bisector line. When the V-notch angle  $2\alpha$  is equal to zero,  $\lambda_1$  and  $\lambda_2$  equal 0.5 and  $K_1$  and  $K_2$  match the conventional stress intensity factors of a crack,  $K_I$  and  $K_{II}$ , according to the Linear Elastic Fracture Mechanics (LEFM).

The main practical disadvantage in the application of the NSIF-based approach is that very refined meshes are needed to calculate the NSIFs by means of definitions (1) and (2). The modelling procedure becomes particularly time-consuming for components that cannot be analysed by means of two-dimensional models.

Recently, Nisitani and Teranishi [7, 8] presented a new numerical procedure suitable for estimating  $K_I$  for a crack emanating from an ellipsoidal cavity. Such a procedure is based on the usefulness of the linear elastic stress  $\sigma_{\text{peak}}$  calculated at the crack tip by means of FE analyses characterized by a mesh pattern having a constant element size and type. In particular Nisitani and Teranishi [7, 8] were able to show that the ratio  $K_I/\sigma_{\text{peak}}$  depends only on the element size for a given element type, so that the  $\sigma_{\text{peak}}$  value can be used to rapidly estimate  $K_I$ , provided that the adopted mesh pattern has been previously calibrated on geometries for which the exact value of  $K_I$  is known. This approach has been theoretically justified and extended also to sharp V-shaped notches subject to mode I loading [9] giving rise to the so-called Peak Stress Method (PSM), which can be regarded as an approximate FE-based method to estimate the NSIFs. Later on, the PSM has been extended to cracks subjected to mode I as well as mode II stresses [10]. The element size required to evaluate  $K_1$  and  $K_2$  from  $\sigma_{\text{peak}}$  and  $\tau_{\text{peak}}$ , respectively, is several orders of magnitude greater than that required to directly evaluate the local stress field. The second advantage of the use of  $\sigma_{\text{peak}}$  and  $\tau_{\text{peak}}$  is that only a single stress value is sufficient to estimate  $K_1$  and  $K_2$ , respectively, instead of a number of stress-distance FE data, as usually made by applying definitions (1) and (2).

Since the units of the mode I and mode II NSIFs,  $K_1$  and  $K_2$ , depend on the notch opening angle, generally a direct comparison of the NSIF values cannot be performed. This problem was overcome by Lazzarin and Zambardi [11], who proposed to use the total elastic strain energy density (SED) averaged over a sector of radius  $R_0$  (Fig. 1b) for static [11-14] and fatigue [11,15,16] strength assessments. With reference to plane strain conditions, the SED value can be evaluated as follows:



$$\bar{W} = \frac{e_1}{E} \left[ \frac{K_1}{R_0^{1-\lambda_1}} \right]^2 + \frac{e_2}{E} \left[ \frac{K_2}{R_0^{1-\lambda_2}} \right]^2 \quad (3)$$

where  $e_1$  and  $e_2$  [11] are two parameters which depend on the notch opening angle  $2\alpha$  and the Poisson's ratio  $\nu$ . In principle, Eq. (3) is valid when the influence of higher order, non-singular terms can be neglected inside the control volume. In the case of short cracks or thin welded lap joints, for example, the T-stress must be included in the local SED evaluation [17].

Aims of the present contribution are as follows:

- to recall the fundamental concepts of the PSM for pure modes of loading;
- to present the extension of the PSM to the case of mixed mode (I+II) loading;
- to investigate a link between the SED approach and the PSM in the case of mixed mode (I+II) loading.

### THE PEAK STRESS METHOD FOR PURE MODES OF LOADING

The Peak Stress Method (PSM) is a simplified numerical method to estimate the NSIFs parameters. Originally it was formulated for cases where only mode I singular stresses exists (i.e.  $K_2 = 0$  or mode II stresses are negligible). It has been based on a link between the exact value of mode I NSIF  $K_1$ , see Eq. (1), and the linear elastic opening peak stress  $\sigma_{\text{peak}}$  calculated at the V-notch tip according to the following expression [9]:

$$K_{FE}^* = \frac{K_1}{\sigma_{\text{peak}} \cdot d^{1-\lambda_1}} \cong 1.38 \quad (4)$$

The PSM according to Eq. (4) was applied to correlate the fatigue strength of fillet- and full penetration welded joints subjected to mode I loading [18,19].

Recently the Peak Stress Method has been extended also to mode II crack problems, linking the exact value of mode II NSIF  $K_2$ , see Eq. (2) with  $2\alpha = 0^\circ$  and  $\lambda_2 = 0.5$ , and the linear elastic sliding peak stress  $\tau_{\text{peak}}$  calculated at the crack tip according to the following expression [10]:

$$K_{FE}^{**} = \frac{K_2}{\tau_{\text{peak}} \cdot d^{1-\lambda_2}} \cong 3.38 \quad (5)$$

In previous expressions  $d$  is the mean finite element size adopted when using the free mesh generation algorithm available in Ansys numerical code, while “exact NSIF values” must be meant as the values obtained using very refined FE mesh patterns in the numerical analyses and applying definitions (1) and (2) to the numerical results. Eqs. (4) and (5) are useful in practical applications because if the mean element size  $d$  is kept constant, then also  $K_1/\sigma_{\text{peak}}$  and  $K_2/\tau_{\text{peak}}$  ratios are constant. Eqs. (4) and (5) are valid under the following conditions:

- use of 4-node linear quadrilateral elements, as implemented in ANSYS® numerical code (PLANE 42 of Ansys element library or alternatively PLANE 182 with K-option 1 set to 3);
- the pattern of finite elements around the V-notch tip must be that shown in Fig. 2b (see also [9, 10]); in particular, four elements share the node located at the crack tip;
- concerning Eq. (4), V-notches characterised by an opening angle  $2\alpha$  ranging from  $0^\circ$  to  $135^\circ$ ;
- the ratio  $a/d$  must be greater than 3 in order to obtain  $K_{FE}^* = 1.38 \pm 3\%$ , being  $a$  the semi-crack length (or the notch depth when dealing with open V-notches). When mode II (sliding) stresses are of interest, meshes must be more refined such that the ratio  $a/d$  must be greater than 14 in order to obtain  $K_{FE}^{**} = 3.38 \pm 3\%$ .

### THE PEAK STRESS METHOD FOR MIXED MODE (I+II) LOADING

In the present paragraph the Peak Stress Method is extended to mixed mode (I+II) crack problems. Consider a crack ( $2\alpha = 0^\circ$ ) centred in a plate having the geometry reported in Fig. 2a and subjected to tensile loading. By varying the inclination angle  $\phi$  of the crack it is possible to obtain different mode mixities, from pure mode I ( $\phi = 0^\circ$ ) to mixed mode I+II ( $\phi > 0^\circ$ ) loading. Different geometrical combinations have been considered, varying the projected crack length

$2h$  (from 5 to 80 mm) and the inclination  $\phi$  (from  $0^\circ$  to  $60^\circ$ ) as well as the size of the element  $d$ , with the aim to investigate to which extent the PSM holds true. Finite element analyses have been performed by using the commercial code Ansys® and 4-node quadrilateral element (PLANE 42). The free mesh algorithm has been used in all numerical analyses and the sole control parameter set to generate the mesh has been the so-called ‘global element size’, i.e. the mean element size of the finite elements, which ranged from 0.5 mm to 10 mm. With the purpose of obtaining the pattern of finite elements oriented along the crack bisector line (see Fig. 2b), the geometry of the plate has been divided into six areas, such that each crack tip is shared by four areas, as shown in Fig 2a. By so doing four elements (each one belonging to a different area) share the node located at the crack tip.

For the considered case,  $K_1 = K_I$ ,  $K_2 = K_{II}$ ,  $\lambda_1 = \lambda_2 = 0.5$ , while  $\sigma_{\text{peak}}$  and  $\tau_{\text{peak}}$  represent the maximum elastic normal and tangential stress referred to the bisector line and evaluated at the crack tip according to Fig. 2a. The exact values of the mode I and mode II SIF,  $K_I$  and  $K_{II}$ , have been evaluated by means of further finite element analyses performed on the same geometries, but adopting very refined meshes (size of the smallest element of the order of  $10^{-5}$  mm) in the close neighbourhood of the crack tip.

Figs. 3-4 plot the results of the numerical analyses in terms of the non-dimensional parameters  $K_{\text{FE}}^*$  and  $K_{\text{FE}}^{**}$  defined in Eqs. (4) and (5). For the sake of brevity, only the results for the cases  $\phi = 30^\circ$  and  $60^\circ$  have been reported. From Figs. 3-4,  $K_{\text{FE}}^*$  and  $K_{\text{FE}}^{**}$  are seen to converge to the previously calibrated values, that is 1.38 [9] and 3.38 [10], respectively, within a scatter band of the numerical results of  $\pm 3\%$  also in the case of mixed mode (I+II) loading.

This occurs for a ratio  $a/d$  greater than a value between 3 and 4, for mode I loading, and between 14 and 16, for mode II loading. It can be observed that the minimum  $a/d$  ratios to assure the validity of PSM under mixed mode (I+II) loading confirm the results obtained in [9], in the case of pure mode I ( $a/d \cong 3$ ), and the results reported in [10] with reference to pure mode II ( $a/d \cong 14$ ). Furthermore, as highlighted in [10], it should be noted that the mode II loading is more critical to analyse with the PSM than the mode I loading because the former requires more refined finite element patterns.

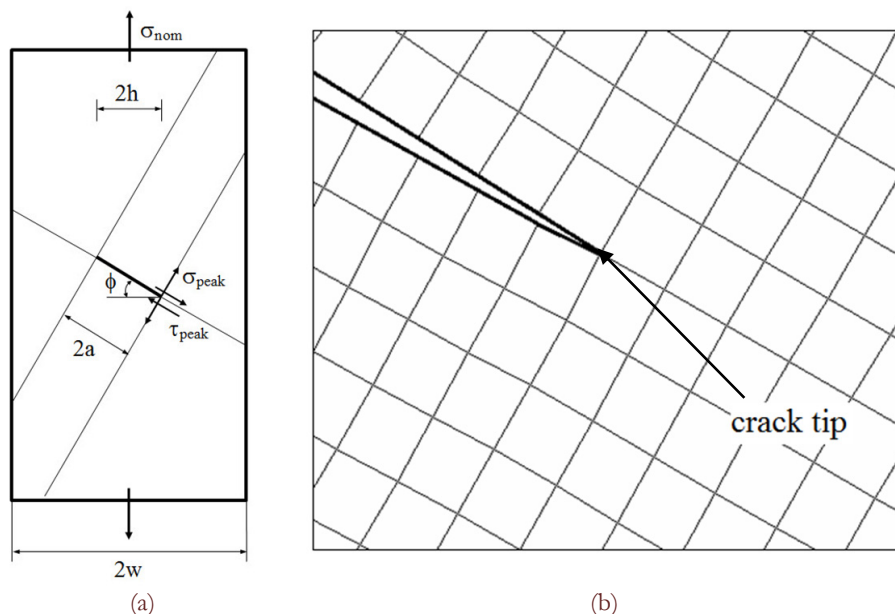


Figure 2: (a) Geometry and loading condition of the analysed mixed mode crack problem.  $2W = 200$  mm. (b) Pattern of finite elements around the singularity point: four elements share the node located at the crack tip.

### A LINK BETWEEN THE PEAK STRESSES AND THE AVERAGED VALUE OF THE LOCAL STRAIN ENERGY DENSITY

In the present paragraph, a link between the averaged SED [11,12] and the peak stresses [9,10] in the case of cracks subjected to mixed mode (I+II) loading is investigated. By substituting the PSM-based relationships, Eqs. (4) and (5), in the closed-form expression of the averaged SED, Eq. (3), it appears that the latter can be directly estimated by means of the elastic peak stresses evaluated at the crack tip,  $\sigma_{\text{peak}}$  and  $\tau_{\text{peak}}$ :



$$\bar{W}_{PSM} = \frac{\ell_1}{E} \left[ K_{FE}^* \cdot \sigma_{peak} \cdot \left( \frac{d}{R_0} \right)^{1-\lambda_1} \right]^2 + \frac{\ell_2}{E} \left[ K_{FE}^{**} \cdot \tau_{peak} \cdot \left( \frac{d}{R_0} \right)^{1-\lambda_2} \right]^2 \quad (6)$$

Several FE analyses have been carried out on the same cracked plates taken into consideration in the previous paragraph, with the aim to evaluate the local SED averaged over a control volume centred at the crack tip. Different geometrical combinations have been considered, varying the length  $2a$  and the inclination  $\phi$  of the crack (i.e. the mode mixity), while the radius of the control volume  $R_0$  has been kept constant and equal to 0.1 mm.

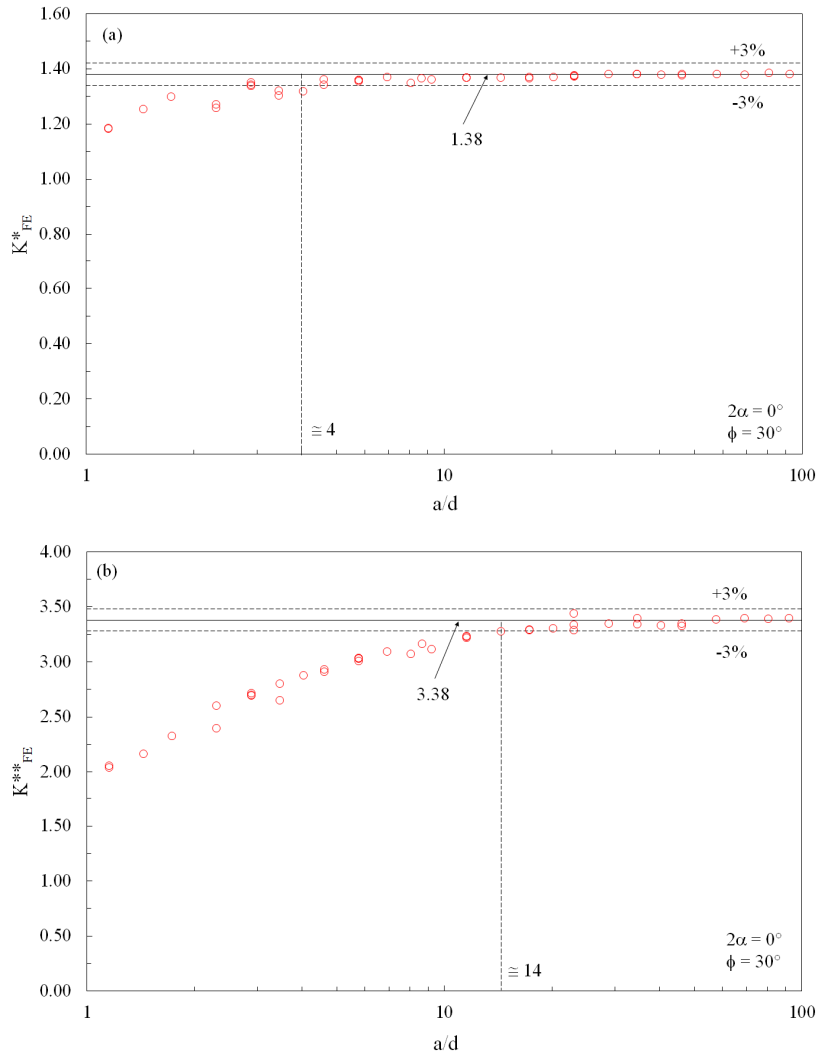


Figure 3: Calibration of the PSM approach for a crack ( $2\alpha = 0^\circ$ ) under mixed mode (I+II) loading ( $\phi = 30^\circ$ ). Normalized SIF related to (a) mode I and (b) mode II.

The mode mixity ratio (MM) has been evaluated according to the following definition:

$$MM = \frac{K_{II}}{K_I + K_{II}} \quad (7)$$

Eq. (7) provides as master cases  $MM = 0$  for pure mode I with  $\phi = 0^\circ$ ,  $MM = 0.5$  for mixed mode with  $\phi = 45^\circ$  and  $MM = 1$  for pure mode II loading.

In all cases the numerical values of the SED calculated from the FE analyses have been compared with those analytically obtained by using the expressions for the SED based on the elastic peak stresses, Eq. (6), in order to verify the range of applicability of the proposed method.

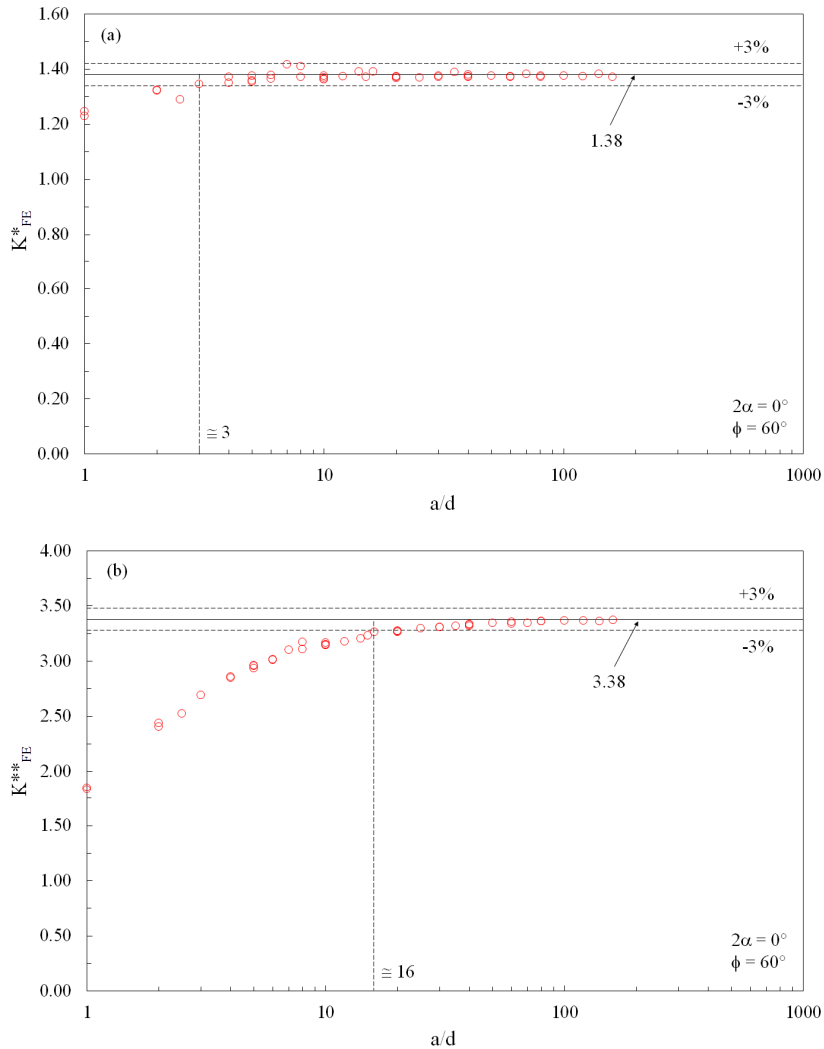


Figure 4: Calibration of the PSM approach for a crack ( $2\alpha = 0^\circ$ ) under mixed mode (I+II) loading ( $\phi = 60^\circ$ ). Normalized SIF related to (a) mode I and (b) mode II.

Being available the exact values of the SIFs, the mean value of the SED has been evaluated also according to Eq. (3). In particular the maximum difference between the SED parameter evaluated analytically (Eq. (3)) and numerically (by FEM) results to be about 5%, which means that the influence of higher order terms, as the T-stress, can be neglected in these cases, at least from an engineering point of view.

The ratio between the SED based on the elastic peak stresses (Eq. 6,  $\overline{W}_{PSM}$ ) and the SED calculated from the FE analyses ( $\overline{W}_{FEM}$ ) has been reported in Fig. 5, with reference to an inclination  $\phi$  of the crack equal to  $0^\circ$ ,  $30^\circ$  and  $60^\circ$ .

From Fig. 5, it can be observed that the ratio  $\overline{W}_{PSM} / \overline{W}_{FEM}$  converges to unity, within a scatter band of  $\pm 10\%$  for all different mode mixities taken into consideration. This occurs for a ratio  $a/d$  greater than a value equal to 3 for the case  $MM = 0$  ( $\phi = 0^\circ$ ), 8.50 for  $MM = 0.37$  ( $\phi = 30^\circ$ ) and 16 for  $MM = 0.63$  ( $\phi = 60^\circ$ ). In particular the minimum  $a/d$  ratio to assure the validity of the proposed method increases as the mode II loading becomes dominant, that is increasing the mode mixity ratio (MM) defined by Eq. (7). This confirms the behavior observed in the previous paragraph and in [10], with reference to  $K^*_{FE}$  and  $K^{**}_{FE}$ .

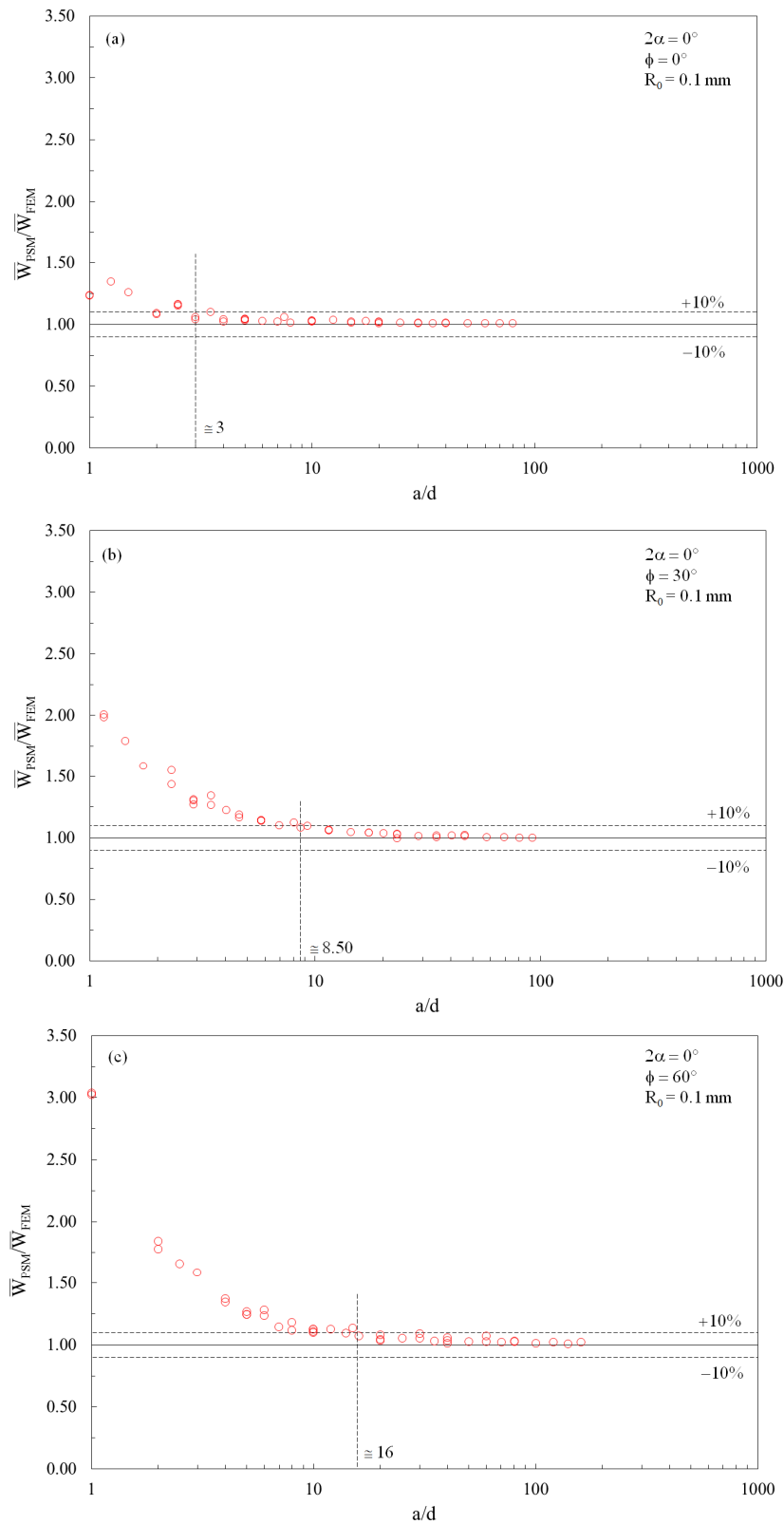


Figure 5: Ratio between the SED based on the elastic peak stresses ( $\bar{W}_{PSM}$ ) and the SED derived from the FE analyses ( $\bar{W}_{FE}$ ) for a crack ( $2\alpha = 0^\circ$ ) under mixed mode (I+II) loading: (a)  $\phi = 0^\circ$  (MM = 0), (b)  $\phi = 30^\circ$  (MM = 0.37) and (c)  $\phi = 60^\circ$  (MM = 0.63).



## CONCLUSIONS

In the present contribution, a link between the averaged SED approach and the peak stress method in the case of cracks subjected to mixed mode (I+II) loading has been investigated:

- On the basis of the peak stress method, some expressions useful to estimate the mode I and mode II SIFs, recently derived for pure modes of loading, have been verified also in the case of mixed mode (I+II) crack problems, considering different mode mixities.
- Since the normal and tangential peak stresses are proportional to the mode I and mode II SIFs, a link can immediately be established with the SED parameter by means of Eqs. (3), (4) and (5). By substituting the PSM-based relationships in the closed-form expressions of the averaged SED it appears that the latter can be directly estimated by means of the elastic peak stresses evaluated at the crack tip.
- The ratio between the SED based on the elastic peak stresses and the SED derived from the FE analyses converge to a unit value for a ratio  $a/d$  greater than a value between 3 ( $MM = 0$ ) and 16 ( $MM = 0.63$ ). The minimum  $a/d$  ratio to assure the validity of the proposed method increases with increasing the mode mixity ratio ( $MM$ ), confirming the behavior observed with reference to  $K_{FE}^*$  and  $K_{FE}^{**}$ .
- The usefulness of the SED expression based on the elastic peak stresses is that (i) only the elastic peak stresses numerically evaluated at the crack tip are needed and the definition of a control volume is no longer required; (ii) the employed meshes are rather coarse close to the crack tip, indeed the mean element size can be significantly greater than the radius of the control volume adopted for SED evaluation.

## REFERENCES

- [1] Seweryn, A., Brittle fracture criterion for structures with sharp notches, *Eng. Fract. Mech.*, 47 (1994) 673–681.
- [2] Boukarouba, T., Tamine, T., Nui, L., Chemini, C., Pluvinage, G., The use of notch stress intensity factor as a fatigue crack initiation parameter. *Eng. Fract. Mech.*, 52 (1995) 503–512.
- [3] Lazzarin, P., Tovo, R., A notch intensity factor approach to the stress analysis of welds, *Fatigue Fract. Eng. Mater. Struct.* 21 (1998) 1089–1104.
- [4] Atzori, B., Meneghetti, G., Fatigue strength of fillet welded structural steels: finite elements, strain gauges and reality, *Int. J. Fatigue*, 23 (2001) 713–721.
- [5] Gross, R., Mendelson, A., Plane elastostatic analysis of V-notched plates, *Int. J. Fract. Mech.*, 8 (1972) 267–272.
- [6] Williams, M. L., Stress singularities resulting from various boundary conditions in angular corners on plates in tension, *J. Appl. Mech.*, 19 (1952) 526–528.
- [7] Nisitani, H., Teranishi, T., KI value of a circumferential crack emanating from an ellipsoidal cavity obtained by the crack tip stress method in FEM, In: Guagliano, M., Aliabadi, M. H., editors. *Proceedings of the 2nd international conference on fracture and damage mechanics*, (2001) 141–146.
- [8] Nisitani, H., Teranishi, T., KI value of a circumferential crack emanating from an ellipsoidal cavity obtained by the crack tip stress method in FEM, *Engng. Fract. Mech.*, 71 (2004) 579–585.
- [9] Meneghetti, G., Lazzarin, P., Significance of the elastic peak stress evaluated by FE analyses at the point of singularity of sharp V-notched components, *Fatigue Fract. Engng. Mater. Struct.*, 30 (2007) 95-106.
- [10] Meneghetti, G., The peak stress method applied to fatigue assessments of steel and aluminium fillet welded joints subjected to mode-I loading, *Fatigue Fract. Engng. Mater. Struct.*, 31 (2008) 346–369.
- [11] Meneghetti, G., Atzori, B., Manara, G., The Peak Stress Method applied to fatigue assessments of steel tubular welded joints subject to mode-I loading, *Engng. Fract. Mech.*, 77 (2010) 2100–2114.
- [12] Lazzarin, P., Zambardi, R., A finite-volume-energy based approach to predict the static and fatigue behavior of components with sharp V-shaped notches, *Int. J. Fract.*, 112 (2001) 275-298.
- [13] Berto, F., Lazzarin, P., Recent developments in brittle and quasi-brittle failure assessment of engineering materials by means of local approaches, *Mater. Sci. Eng. R*, 75 (2014) 1-48.
- [14] Lazzarin, P., Campagnolo, A., Berto, F., A comparison among some recent energy- and stress-based criteria for the fracture assessment of sharp V-notched components under Mode I loading, *Theor. Appl. Fract. Mech.*, 71 (2014) 21-30.





- [15] Torabi, A. R., Campagnolo, A., Berto, F., Local strain energy density to predict mode II brittle fracture in Brazilian disk specimens weakened by V-notches with end holes, *Mater. Design*, 69 (2015) 22-29.
- [16] Livieri, P., Lazzarin, P., Fatigue strength of steel and aluminium welded joints based on generalized stress intensity factors and local strain energy values, *Int. J. Fract.*, 133 (2005) 247-276.
- [17] Berto, F., Campagnolo, A., Lazzarin, P., Fatigue strength of severely notched specimens made of Ti-6Al-4V under multiaxial loading, *Fatigue Fract. Engng. Mater. Struct.*, (2015). doi: 10.1111/ffe.12272.
- [18] Berto, F., Lazzarin, P., Multiparametric full-field representations of the in-plane stress fields ahead of cracked components under mixed mode loading, *Int. J. Fatigue*, 46 (2013) 16-26.
- [19] Meneghetti, G., The use of peak stresses for fatigue strength assessments of welded lap joints and cover plates with toe and root failures, *Eng. Fract. Mech.*, 89 (2012) 40-51.